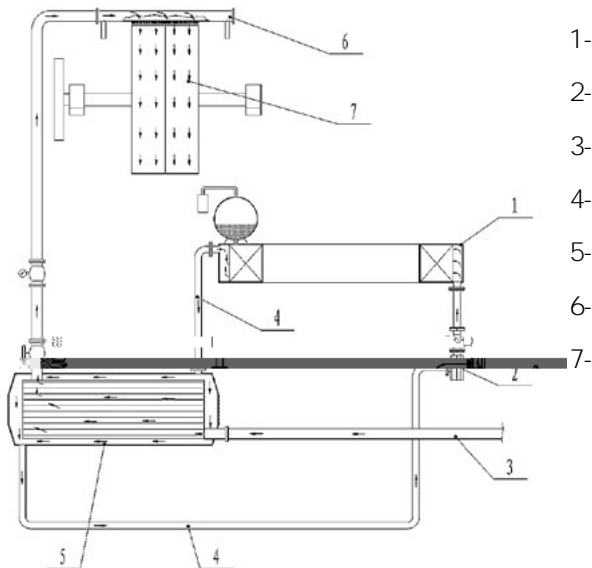


- 1.2      - 200      30      100%



: ZL201110233277. 5      PCT      CN2011/082524  
 : ZL201210028744. 5      [2012] 156  
 : ZL201220332872. 4      [2012] 333  
 : ZL201220041902. 6  
 : ZL201310335484. 0      JK      [2012] 1050  
 : ZL20162025241. 6

25



	LHGC-500F(Z)	LHGC-750F(Z)	LHGC-1000F(Z)	LHGC-1250F(Z)	LHGC-1500F(Z)	LHGC-1750F(Z)	LHGC-2000F(Z)	LHGC-2250F(Z)	LHGC-2500F(Z)	LHGC-2750F(Z)	LHGC-3000F(Z)	LHGC-3600F(Z)	LHGC-4000F(Z)	LHGC-5000F(Z)
(T)	1.4(0.6)													
(T)	2.4(1.2)													
kW	24(3)	25(8)	28(10)	32(12)	38(15.5)	48(23)	68(29)	72(32)	76(41)	94(42)	106(49)	139(50)	128(58)	138(75)
t/h	0.03 0.125	0.1 0.5	4 7	10 30	20 30	30 50	50 80	80 120	100 150	100 200	150 250	250 400	350 500	600 800
m³/h	0.25 0.5	1 2	12.5 20	20 50	50 100	75 150	100 200	160 300	200 400	200 500	350 650	550 950	750 1400	1400 2000
A	124(40)	50(35)	85(70)	105(85)	115(95)	130(100)	185(130)	175(140)	206(120)	205(100)	270(150)	330(180)	345(205)	365(200)
%	10 35													
mm	- 1.0		- 1.2											
r/min	2 4( )													
mm	500	750	1000	1250	1500	1750	2000	2250	2500	2750	3000	3600	4000	5000
kW	0.18	0.75	1.1	1.5	3	4	5.5	7.5	11 7.5	15	18.5 15	30	37	55
kW	0.55	1.5	2.2	3	4	4	7.5	7.5	11	15	18.5	30	37	55
mm	0 30( )													
( / )	0 300( )													
DCV	0 514													
Mpa	0.1 0.2	0.2 0.4												
m³/h	0.65 1.4	1.4 2.5	8 12	12 20	20 30	30 50	50 100	60 120	100 150	120 180	150 250	200 350	200 400	350 550
(t)	1.1	1.1(0.5)	3.3(2)	5(3.5)	13(4)	15(9)	18(13)	22(16)	25(17)	33(19)	36(26)	51(28)	35(28)	35(30)
(mm)	2137	2900 2800	3290 2590	3400 2310	3870 2700	3970 2840	4380 3900	4566 4380	5900 5940	6250 6250	6290 6260	7830(8200)	6000(6200)	7100(7550)
	1602	2300 2100	2950 2650	3420 2900	3700 3000	3900 3200	3410 2900	4586 3860	5030 3785	5510 5600	5800 5540	5800 6100	7200 7500	7650 8000
	2059	2000 1900	2680 2380	3000 2700	3650 3200	4060 3500	4480 3900	4798 4100	5500 5175	5920 6200	6610 6450	7360 7450	6450 6650	9520 9750
	---	YTS-810	YTS-810 YTS-1210	YTS-810 YTS-1210	YTS-810 YTS-1210	YTS-1415 YTS-2019	YTS-1415 YTS-2019	YTS-2019 YTS-2529	YTS-2019 YTS-2529	YTS-2529	YTS-2529	YTS-2529	YTS-2529	YTS-2529

